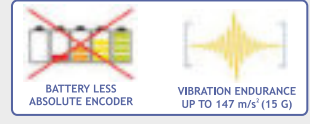
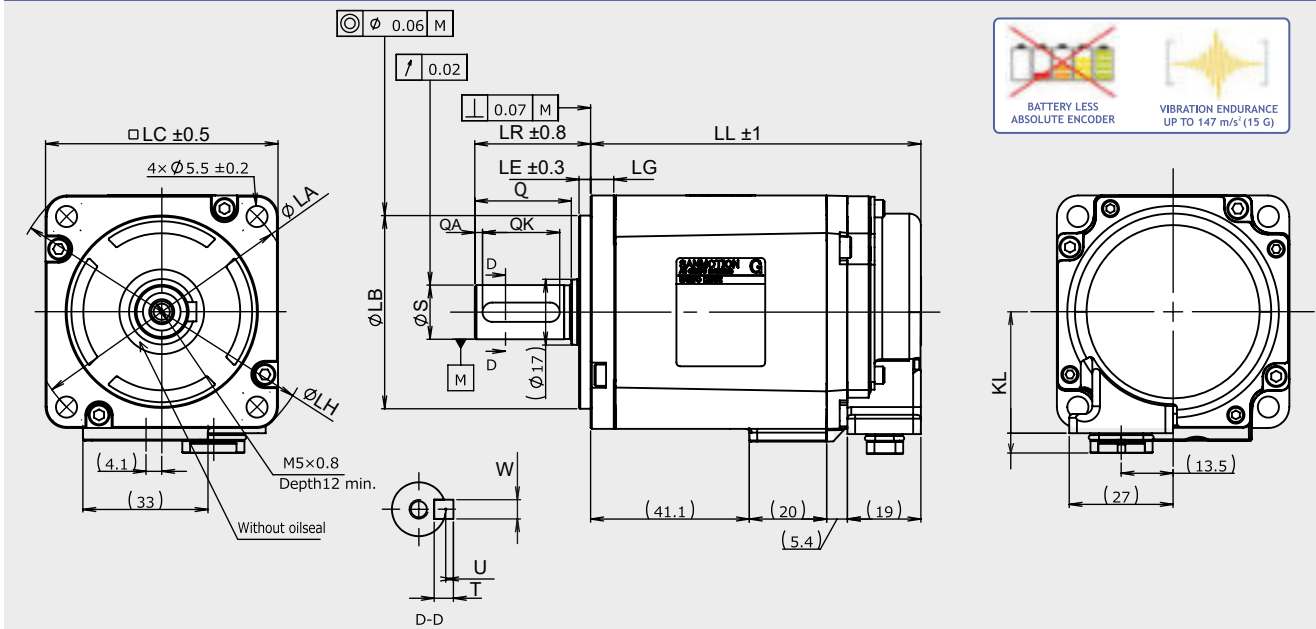


# GAM2A6040F0XRK2 [GAM2A6040F0CRK2] SANYO DENKI SANMOTION

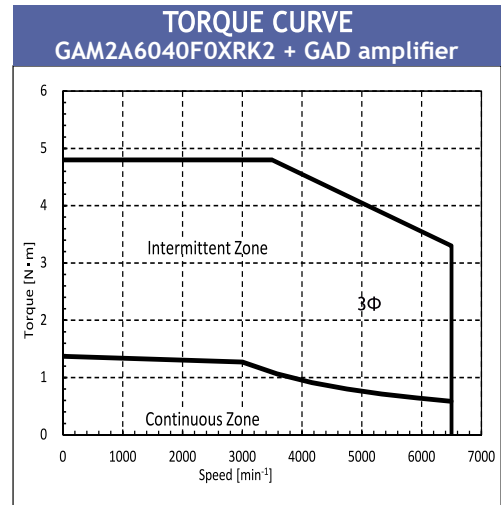


## Dimensions (Unit:mm)



without brake	with brake	LG	KL	LA	LB	LE	LH	LC	LZ	LR	S	Q	QA	QK	W	T	U	QE	LT
LL	LL	6	36.8	70	50-0.025	3.0	81	60	--	30	14-0.011	25	2	20	5	5	2	--	--

FEATURES		
MODEL	GAM2A6040F0XRK2 [GAM2A6040F0CRK2]	
NOMINAL POWER	(W)	400
NOMINAL SPEED	(rpm)	3000
MAXIMUM SPEED	(rpm)	6500
NOMINAL TORQUE	(Nm)	1.270
STALL TORQUE	(Nm)	1.370
MAXIMUM TORQUE	(Nm)	4.80
INERTIA	(Kg*m <sup>2</sup> )	0.460 × 10 <sup>-4</sup> [0.534 × 10 <sup>-4</sup> ]
BATTERY LESS ABSOLUTE ENCODER	SINGLE TURN: (23 bit) MULTI TURN: 65536 turns	
PROTECTION DEGREE	IP67*	
WEIGHT	[version with brake] (Kg)	1.2 [1.6]



\* Protection degree IP67 (except for the shaft hole and the edge of the cable).

WITHOUT BRAKE  
GAM2A6040F0XRK2

Indicated performances refer to motor controlled by related new GAD EtherCAT series amplifiers.

3Φ = torque curve with three-phase power supply

WITH BRAKE  
GAM2A6040F0CRK2

R.T.A. - s.r.l. PAVIA (ITALY) SANYO DENKI CO., Ltd (JAPAN)

## Suggested amplifiers: GADSA03AH24



Zona Industrial da Mota  
Rua 7, Lote 6-A  
3830-527 Ílhavo

+351 234 397 210  
prosistav@prosistav.pt  
www.prosistav.pt

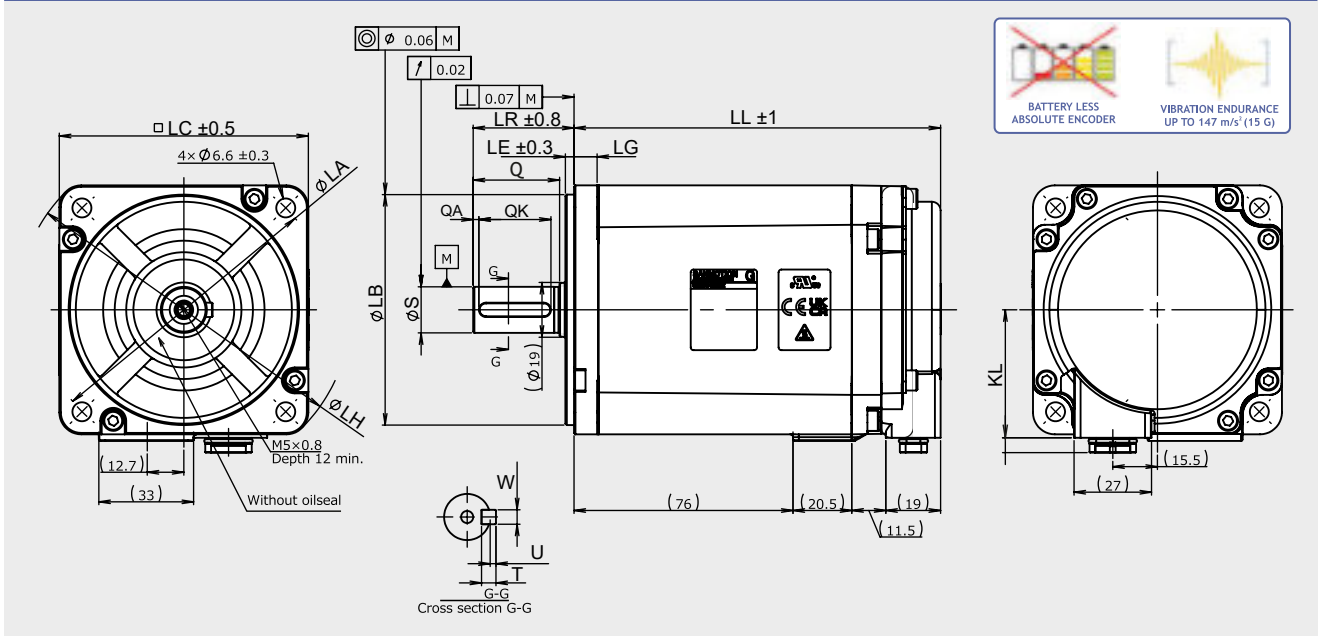




# GAM2A9100H0XRK2 [GAM2A9100H0CRK3] SANYO DENKI SANMOTION

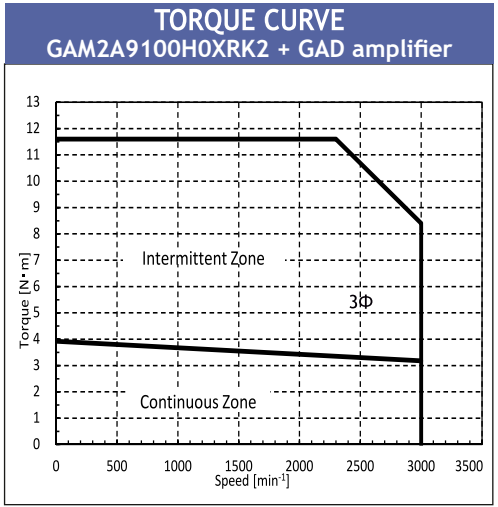


## Dimensions (Unit:mm)



without brake	with brake	LG	KL	LA	LB	LE	LH	LC	LZ	LR	S	Q	QA	QK	W	T	U	QE	LT
LL	LL	8	49.6	100	0	3.0	116	86	--	35	0	30	2	25	5	5	2	--	--
127	153				80-0.03						16-0.011								

FEATURES		
MODEL	GAM2A9100H0XRK2	
NOMINAL POWER	(W)	1000
NOMINAL SPEED	(rpm)	3000
MAXIMUM SPEED	(rpm)	3000
NOMINAL TORQUE	(Nm)	3.180
STALL TORQUE	(Nm)	3.920
MAXIMUM TORQUE	(Nm)	11.60
INERTIA	(Kg*m <sup>2</sup> )	2.450 x 10 <sup>-4</sup>
BATTERY LESS ABSOLUTE ENCODER	SINGLE TURN: (23 bit) MULTI TURN: 65536 turns	
PROTECTION DEGREE	IP67*	
WEIGHT	[version with brake] (Kg)	3.4



\* Protection degree IP67 (except for the shaft hole and the edge of the cable).

<p>WITHOUT BRAKE GAM2A9100H0XRK2</p>	<p>Indicated performances refer to motor controlled by related new GAD EtherCAT series amplifiers.</p> <p>3Φ = torque curve with three-phase power supply</p>	<p>WITH BRAKE GAM2A9100H0CRK2</p>
--	---	---------------------------------------

## Suggested amplifiers: GADSA03AH24

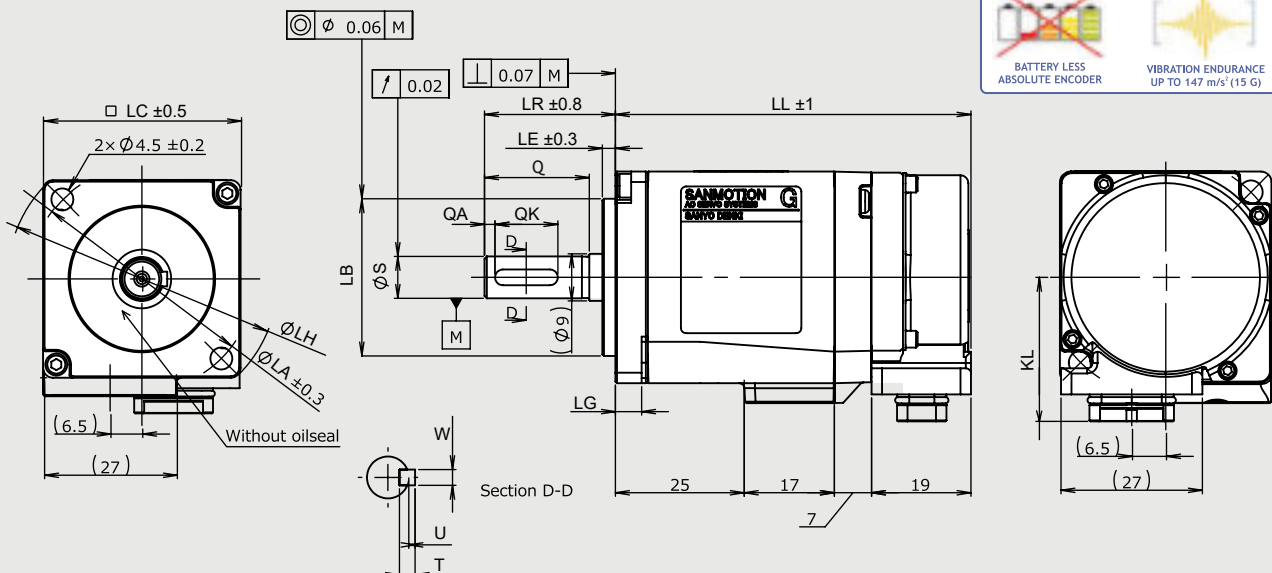
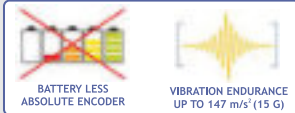


Zona Industrial da Mota  
Rua 7, Lote 6-A  
3830-527 Ílhavo

+351 234 397 210  
prosistav@prosistav.pt  
www.prosistav.pt

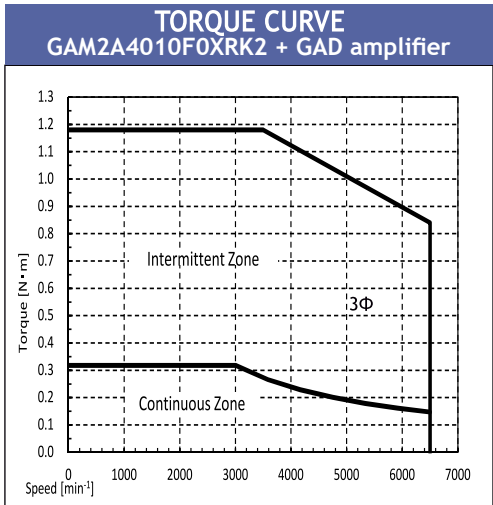


## Dimensions (Unit:mm)



without brake	with brake	LG	KL	LA	LB	LE	LH	LC	LZ	LR	S	Q	QA	QK	W	T	U	QE	LT
LL	LL	5	27.6	46	30-0.021 <sup>0</sup>	2.5	56	40	2-Ø4.5	25	8-0.009 <sup>0</sup>	20	2	12	3	3	1.2	--	--

FEATURES	
MODEL	GAM2A4010F0XRK2
NOMINAL POWER [version with brake]	(W) 100
NOMINAL SPEED	(rpm) 3000
MAXIMUM SPEED	(rpm) 6500
NOMINAL TORQUE	(Nm) 0.318
STALL TORQUE	(Nm) 0.318
MAXIMUM TORQUE	(Nm) 1.18
INERTIA	(Kg*m <sup>2</sup> ) 0.0600×10 <sup>-4</sup>
BATTERY LESS ABSOLUTE ENCODER	SINGLE TURN: (23 bit) MULTI TURN: 65536 turns
PROTECTION DEGREE	IP67*
WEIGHT [version with brake]	(Kg) 0.39



R.T.A. s.r.l. PAVIA (ITALY) SANYO DENKI CO., Ltd (JAPAN)

\* Protection degree IP67 (except for the shaft hole and the edge of the cable).

WITHOUT BRAKE  
GAM2A4010F0XRK2

Indicated performances refer to motor controlled by related new GAD EtherCAT series amplifiers.

3Φ = torque curve with three-phase power supply

WITH BRAKE  
GAM2A4010F0CRK2

## Suggested amplifiers: GADSA03AH24



Zona Industrial da Mota  
Rua 7, Lote 6-A  
3830-527 Ílhavo

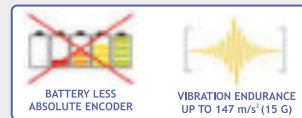
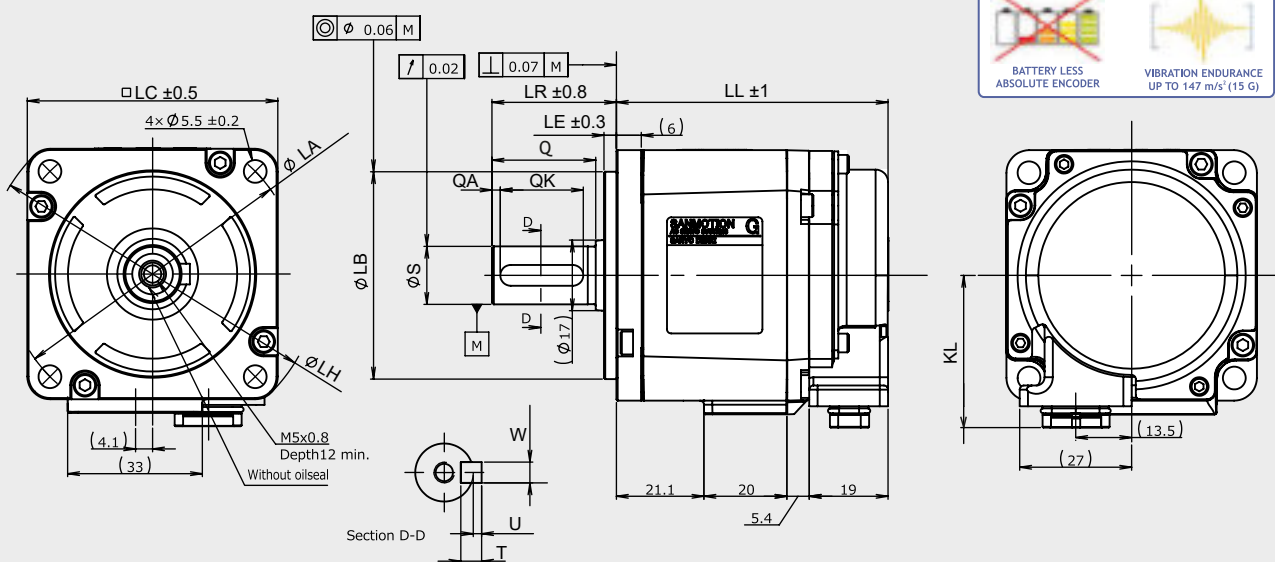
+351 234 397 210  
prosistav@prosistav.pt  
www.prosistav.pt



# GAM2A6020F0XRK2 [GAM2A6020F0CRK2] SANYODENKI SANMOTION

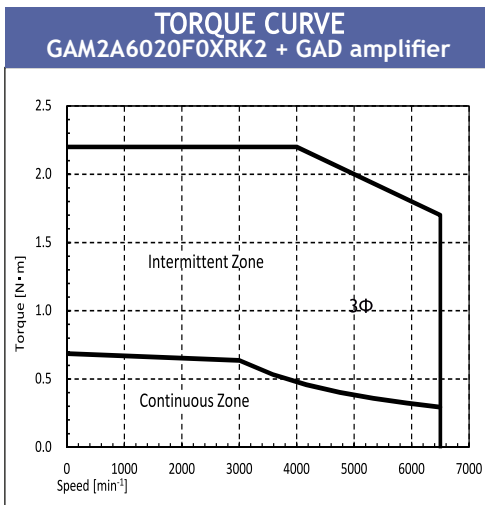


## Dimensions (Unit:mm)



without brake LL	with brake LL	LG	KL	LA	LB	LE	LH	LC	LZ	LR	S	Q	QA	QK	W	T	U	QE	LT
65.5	91.5	6	36.8	70	$50-0.025^0$	3.0	81	60	--	30	$14-0.011^0$	25	2	20	5	5	2	--	--

FEATURES		
MODEL	GAM2A6020F0XRK2	
NOMINAL POWER	(W)	200
NOMINAL SPEED	(rpm)	3000
MAXIMUM SPEED	(rpm)	6500
NOMINAL TORQUE	(Nm)	0.637
STALL TORQUE	(Nm)	0.686
MAXIMUM TORQUE	(Nm)	2.20
INERTIA	(Kg*m <sup>2</sup> )	$0.247 \times 10^{-4}$
BATTERY LESS ABSOLUTE ENCODER	SINGLE TURN: (23 bit) MULTI TURN: 65536 turns	
PROTECTION DEGREE	IP67*	
WEIGHT	(Kg)	0.80



\* Protection degree IP67 (except for the shaft hole and the edge of the cable).

WITHOUT BRAKE  
GAM2A6020F0XRK2

Indicated performances refer to motor controlled by related new GAD EtherCAT series amplifiers.

3Φ = torque curve with three-phase power supply

WITH BRAKE  
GAM2A6020F0CRK2

R.T.A. - s.r.l. PAVIA (ITALY) SANYO DENKI CO., LTD (JAPAN)

## Suggested amplifiers: GADSA03AH24



Zona Industrial da Mota  
Rua 7, Lote 6-A  
3830-527 Ílhavo

+351 234 397 210  
prosistav@prosistav.pt  
www.prosistav.pt

